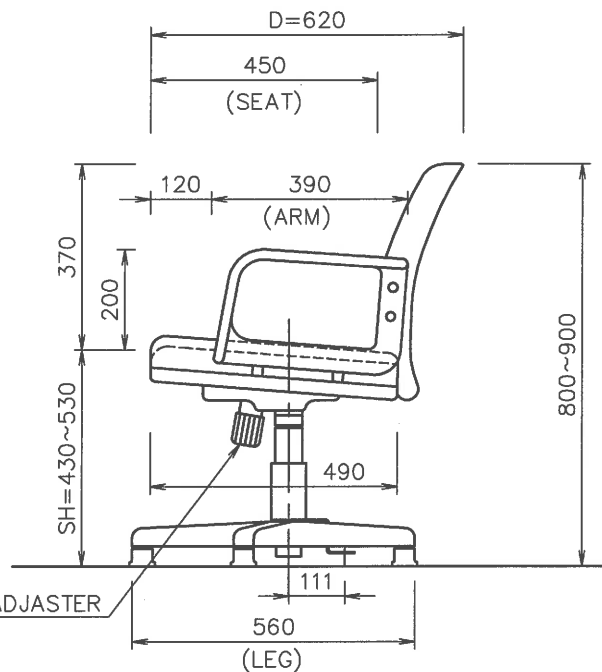
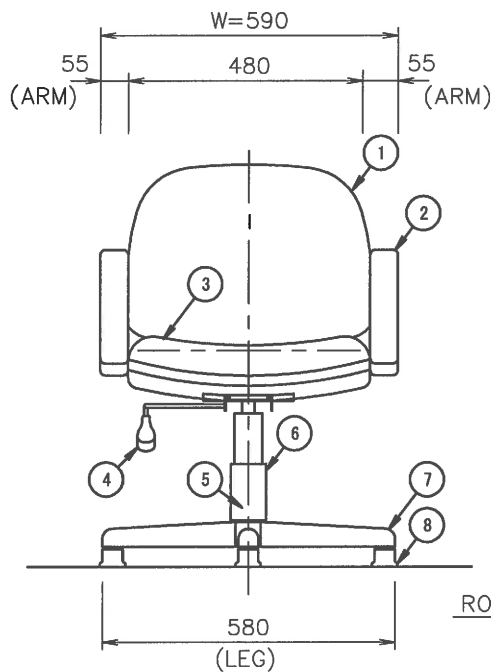
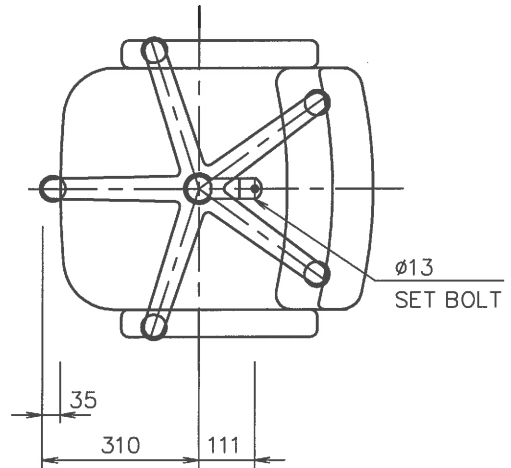


REV,ARM CHAIR (505RMG)

TITLE.



③	SEAT	FRONT COVER ; VINYL LEATHER (DARK BROWN COLOR) LINING ;BLACK COLOR	⑧	TIPS	PLASTIC & STEEL
②	ARM REST	PLASTIC (BLACK COLOR)	⑦	LEG	PLASTIC (BLACK COLOR)
①	BACK REST	FRONT COVER ; VINYL LEATHER (DARK BROWN COLOR)	⑥	SHAFT COVER	PLASTIC (BLACK COLOR)
		BACK COVER ; VINYL LEATHER (DARK BROWN COLOR)	⑤	SHAFT (GAS CYLINDER SYSTEM)	STAINLESS STEEL
MARK	NAME	MATERIAL	MARK	NAME	MATERIAL